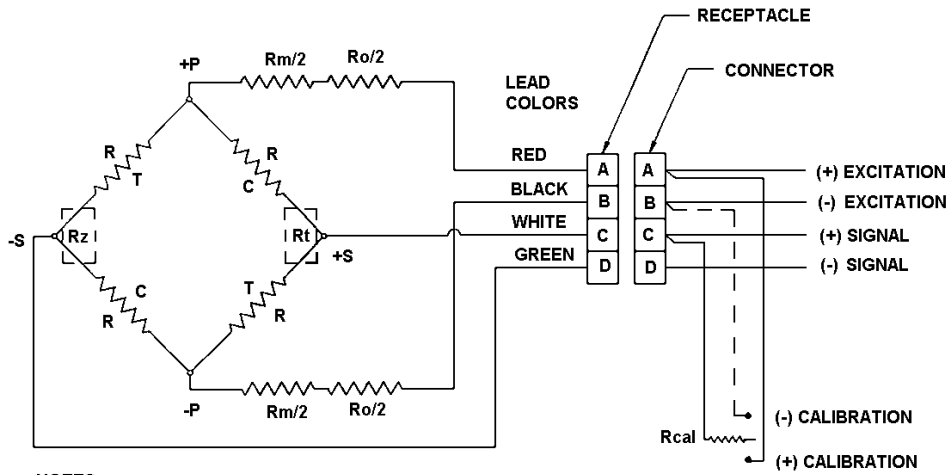


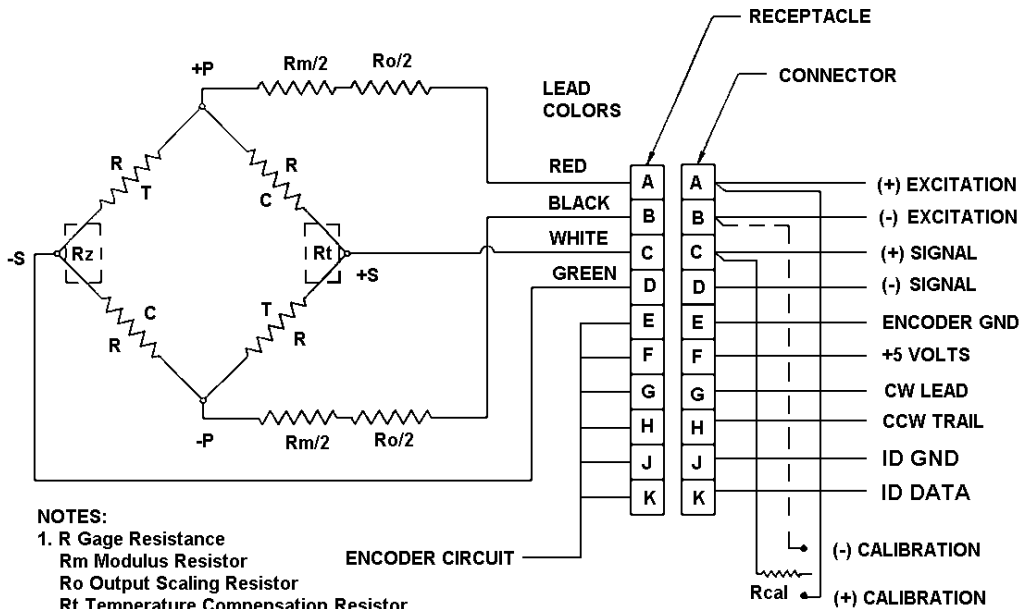
Wiring Standards 4-Pin and 10-Pin Connectors



NOTES:

1. R Gage Resistance
Rm Modulus Resistor
Ro Output Scaling Resistor
Rt Temperature Compensation Resistor
Rz Zero Balance Resistor
2. Ro and Rm may be omitted.
3. Colors denote wiring connections for captive cable sensors.
4. (-) Calibration applies only to bi-directional sensors.

**Mating Connector Bendix PT06A-8-4(SR)
RST PN 42420-000600**



NOTES:

1. R Gage Resistance
Rm Modulus Resistor
Ro Output Scaling Resistor
Rt Temperature Compensation Resistor
Rz Zero Balance Resistor
2. Ro and Rm may be omitted.
3. Colors denote wiring connections for captive cable sensors.
4. (-) Calibration applies only to bi-directional sensors.

**Mating Connector: Bendix PT06A-12-10S(SR)
RST PN 42420-000630**