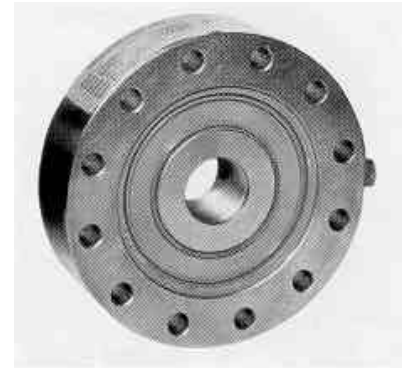


Low Height Precision Load Cells

High Accuracy for Critical Compression Loads!

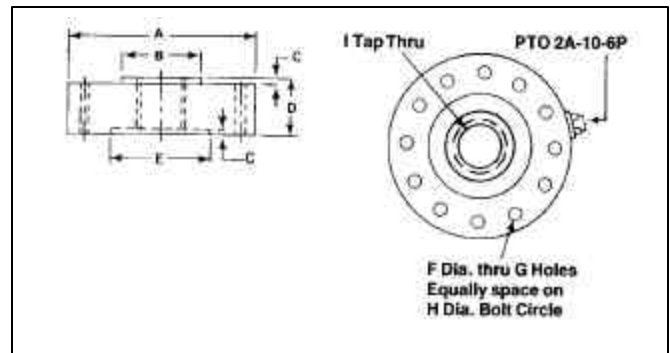


- **Designed for industrial environments**
- **Low deflection and insensitivity to off-center loading**
- **Rugged one-piece nickel plated flexure with welded steel diaphragms**

The LH 4600 Series of load cells are calibrated in compression. They may be used in tension if mounted with Grade 7 socket head cap screws torque to within 50 to 70% of their yield strength. Mounting surfaces for the load cell must be flat within 0.0003 T.I.R. to achieve stated accuracies. For fatigue rated applications (minimum 10^8 cycle life), load cell should be derated to 50% of capacity.

SPECIFICATIONS

Output at Rated Capacity 4.00 mV/V nominal
 Overload Capacity 150% of Full Scale
 Nonlinearity $\pm 0.2\%$ of Full Scale
 Hysteresis $\pm 0.15\%$ of Full Scale
 Repeatability $\pm 0.05\%$ of Full Scale
 Excitation Voltage 15 vdc, maximum
 Bridge Resistance 350 Ohms
 Temp Effect on Zero $\pm 0.002\%$ FS per $^{\circ}$ F
 Temp Effect on Span $\pm 0.002\%$ of reading per $^{\circ}$ F
 Compensated Temp Range +70 to 150 $^{\circ}$ F
 Receptacle Bendix 6-pin PT02H-10-6P
 Mating Connector Bendix PT06A-10-6S(SR)



Model	Capacity Lbs. X 1000	A	B	C	D	E	F	G	H	I
4650	5, 10	4.00	1.37	0.12	1.37	3.00	0.281	8	3.5	5/8-18 UNF-3B
4652	25, 50	6.00	2.00	0.12	1.75	4.00	0.406	12	5.125	1 1/4-12 UN-3B
4654	100	7.50	2.78	0.25	2.25	4.50	0.468	12	6.250	1 3/4-12 UN-3B

Additional information on precision load cells and other force and torque measurement load cells and related instrumentation is available from:

RS Technologies, Ltd.
 24350 Indoplex Circle
 Farmington Hills, MI 48335
 Telephone: 248-888-8260
 Fax: 248-888-8266
 Email: info@rstechltd.com
www.rstechltd.com

